



# LightLink LL-205

## 0-10V Bridge & Dimmer

US 8,255,487 | US 8,264,172  
Additional Patents Pending

### FEATURES

- 120-277V AC Input
- Premium Design & Construction
- Onboard Dimming Buttons & LED Status
- Bridges 3rd Party Dimmers to LightLink Compatible Fixtures
- Non-Volatile Memory Recalls Last Intensity

### MODELS

- Standalone
- 0-10V

### ENVIRONMENT

- Dry
- Damp

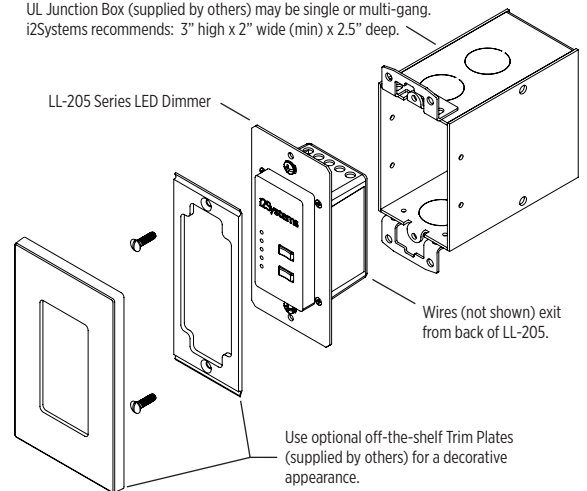
## ELECTRICAL SPECIFICATIONS

| PARAMETER                  | LL-205-S           | LL-205-10V |
|----------------------------|--------------------|------------|
| <b>Input</b>               |                    |            |
| Voltage                    | 100-277V AC        |            |
| Frequency                  | 50/60Hz            |            |
| Max Current                | 20mA/120V AC       |            |
| <b>0-10V Control Input</b> |                    |            |
| Typical Voltage            | -                  | 0-10V DC   |
| Max Voltage                | -                  | 15V DC     |
| Typ. Current               | -                  | .5mA       |
| <b>Dimming Output</b>      |                    |            |
| Max Voltage                | 30V DC             |            |
| Max Current                | 30mA               |            |
| <b>Environmental</b>       |                    |            |
| Operating Temp             | -20 to 40°C        |            |
| Humidity                   | 95% Non-Condensing |            |

For more information, refer to the LightLink LL-205 Installation Guide available at [www.i2systems.com](http://www.i2systems.com)

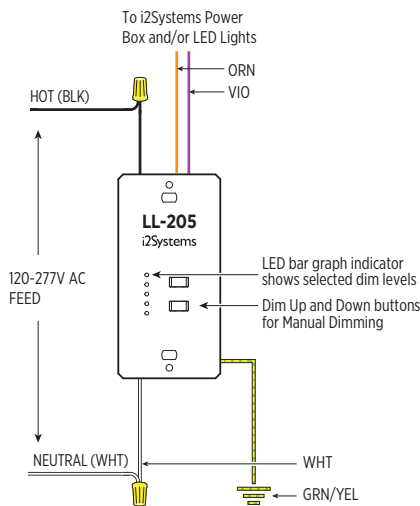
## MECHANICAL SPECIFICATIONS

UL Junction Box (supplied by others) may be single or multi-gang.  
i2Systems recommends: 3" high x 2" wide (min) x 2.5" deep.

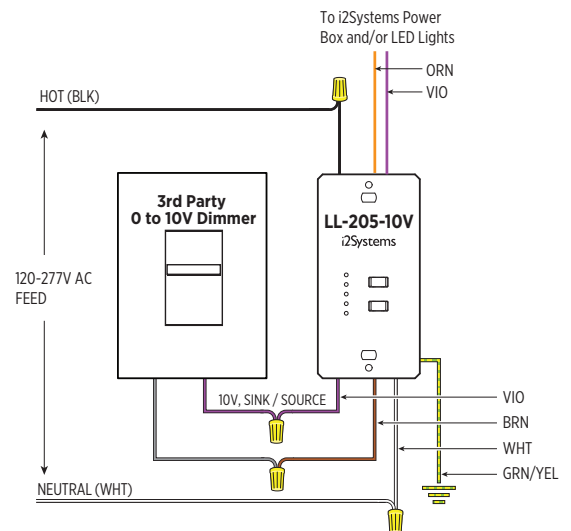


## WIRING EXAMPLES

### Push-Button Dimming



### 0-10V Dimming



For setup and operational details, please refer to the LL-205 Installation Guide available at [www.i2systems.com](http://www.i2systems.com).